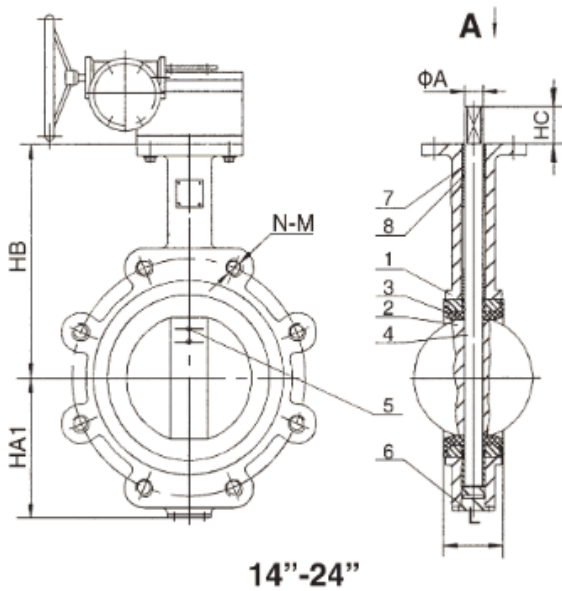


Butterfly Valves 2" - 24"



Features:

- Bushings
- One-Piece Thru Shaft
- O-Ring
- Precision Taper Pin
- Set-Screw
- Smooth Finished Disc Flats
- Precision Profile Disc
- Seat Face
- Support Shaft Seal
- Phenolic Backed Seat



No.	Description	Material
1	Body	DI
2	Disc	DI, CF8M, BRONZE
3	Seat	BUNA-N, EPDM,TEFLON, VITON
4	Stem	SS 416
5	Taper Pin	SS 316
6	End Cover	DI
7	Bushing	PTFE
8	O-Ring	BUNA-N, EPDM

Western Valve and Fitting

4355 Technology Drive

Livermore, CA. 94551

(O)925-443-8500

info@westernvalveandfitting.com

INCH	HA1	HA2	HB	HC	L	ΦC	4-Φ	N-M	Bolt	Stud	ΦA	D	M**	ΦE	ΦB***	ΦF	TORQUE*	WT	
																		WAFER	LUG
2"	2.99	2.99	6.36	1.26	1.77	4.75	0.75	4-	4.25	5.00	--	--	9	3.54	7	0.41	117	6	7
								5/8"-11											
2.5"	3.15	3.5	6.89	1.26	1.89	5.5	0.75	4-	4.5	5.25	--	--	9	3.54	7	0.41	189	7	8
								5/8"-11											
3"	3.74	3.74	7.12	1.26	1.93	6.00	0.75	4-	4.75	5.50	--	--	9	3.54	7	0.41	244	10	14
								5/8"-11											
4"	4.49	4.49	7.87	1.26	2.16	7.50	0.75	8-	5.00	5.75	--	--	11	3.54	7	0.41	390	13	26
								5/8"-11											
5"	4.92	4.92	8.38	1.26	2.28	8.50	0.88	8-	5.25	6.25	--	--	14	3.54	7	0.41	598	18	28
								3/4"-10											
6"	5.51	5.51	8.86	1.26	2.32	9.50	0.88	8-	5.25	6.25	--	--	14	3.54	7	0.41	875	20	31
								3/4"-10											
8"	6.81	6.97	10.23	1.41	2.52	11.75	0.88	8-	6.00	7.00	--	--	17	4.92	10	0.49	1430	32	49
								3/4"-10											
10"	7.99	7.99	11.49	1.41	2.75	14.25	1.00	12-	6.25	7.25	--	--	22	4.92	10	0.49	2275	42	72
								7/8"-9											
12"	9.33	9.52	13.26	1.41	3.15	17.00	1.00	12-	6.75	7.75	--	--	22	4.92	10	0.49	3250	70	105
								7/8"-9											
14"	10.98	10.51	14.48	1.77	3.15	18.75	1.125	12-1"-8	7.25	8.5	1.25	0.94	--	4.92	10	0.49	3500	95	155
16"	11.97	11.73	15.74	2	3.54	21.25	1.125	16-1"-8	8.25	9.5	1.31	1.06	--	6.89	14	0.71	5500	117	195
18"	14.25	12.52	16.61	2	4.29	22.75	1.25	16-1	9.25	10.25	1.5	1.06	--	6.89	14	0.71	8200	165	230
								1/8"-7											
20"	14.49	13.74	18.85	2.52	5.31	25	1.25	20-1	10	11.25	1.62	1.26	--	6.89	14	0.71	10000	275	396
								1/8"-7											
24"	17.48	16.14	22.12	2.8	6.14	29.5	1.375	20-1	11.5	13	1.99	1.41	--	11.81	--	0.71	18200	440	610
								1/4"-7											

*Actual torque values may vary. Please consult the factory.