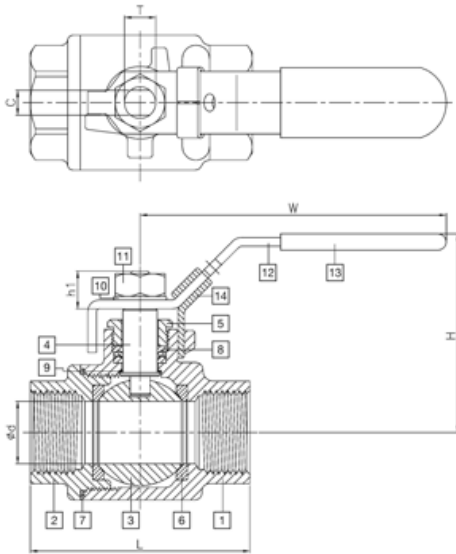


2 Piece Stainless Steel Full Flow Ball Valves



Features:

- ISO 9002
- The thread ends conform to ASME B 1.20.1(NPT)
- Investment Casting
- Blow-out Proof Stem
- Full Port
- 2000# (1/4" thru 1")
- 1500# (1-1/4" thru 2")
- 15% glass fiberfill PTFE reinforced seat
- PTFE seal & packing
- Latch lock handle
- All valves tested and inspected to API-598



Item	Description	Material
1	Body	ASTM A351-CF8M
2	Cap	ASTM A351-CF8M
3	Ball	ASTM A351-CF8M
4	Stem	ASTM A276-316
5	Gland Nut	AISI 304
6	Ball Seat	RTFE
7	Body Seal	PTFE
8	Packing	PTFE
9	Thrust Washer	PTFE
10	Spring Washer	AISI 304
11	Nut	AISI 304
12	Handle	AISI 304
13	Handle Sleeve	PVC
14	Locking Device	AISI 304

Western Valve and Fitting
4355 Technology Drive, Unit G
Livermore, CA. 94551
(O)925-443-8500
info@westernvalveandfitting.com

SIZE	ød	L	W	H	H1	T	C	Torque	WT
1/4"	0.46	2.38	4.02	2.11	0.41	5/16"	0.20	46	0.90
3/8"	0.50	2.38	4.02	2.11	0.41	5/16"	0.20	57	0.70
1/2"	0.59	2.46	4.02	2.24	0.41	5/16"	0.20	57	0.90
3/4"	0.80	3.03	4.88	2.44	0.53	3/8"	0.26	57	1.30
1"	1.01	3.54	6.50	3.15	0.62	7/16"	0.31	101	2.40
1-1/4"	1.26	3.94	6.50	3.30	0.62	7/16"	0.31	254	3.50
1-1/2"	1.50	4.65	7.40	3.90	0.67	1/2"	0.35	288	5.10
2"	2.00	5.43	7.40	4.21	0.67	1/2"	0.35	392	8.40

*Actual torque values may vary. Please consult the factory.

